

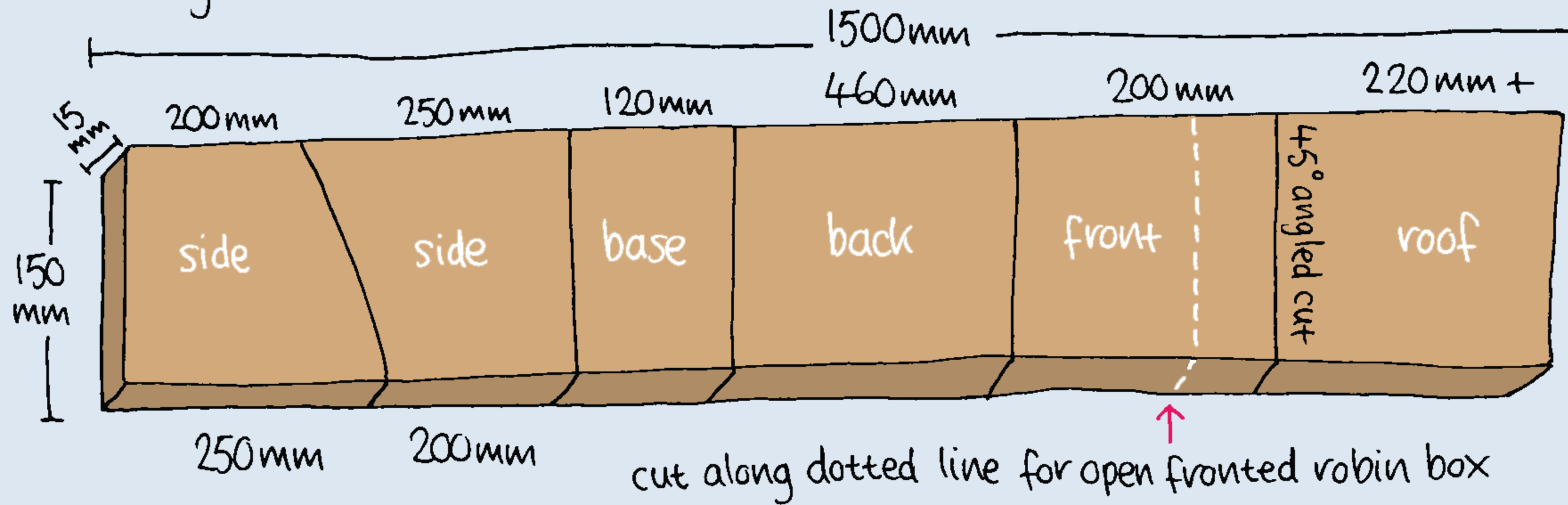


How to make a nest box



What you need:

- rough cut timber
- some old rubber or a hinge
- 20mm nails
- tools:



▶ saw



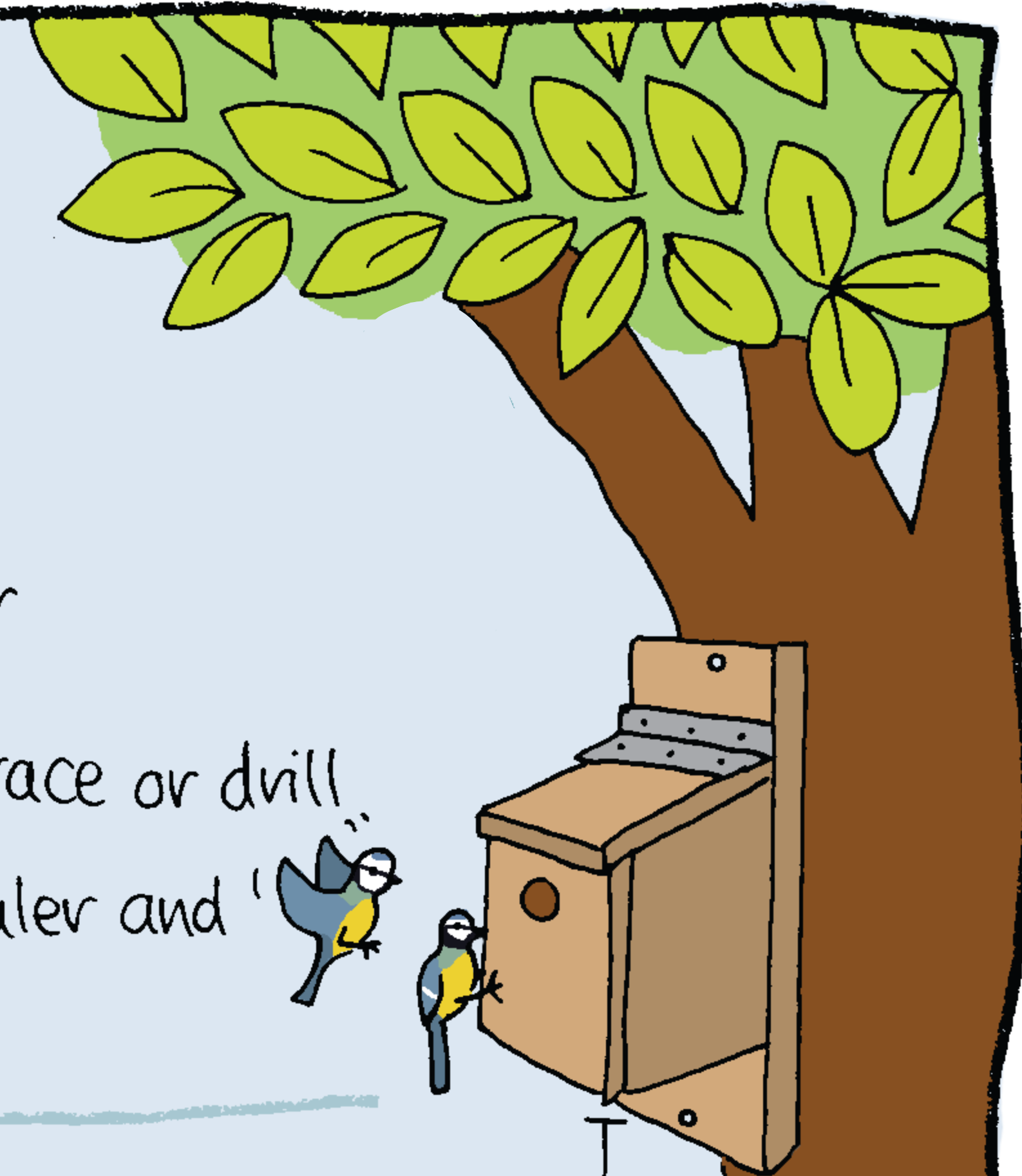
▶ hammer



▶ hand brace or drill



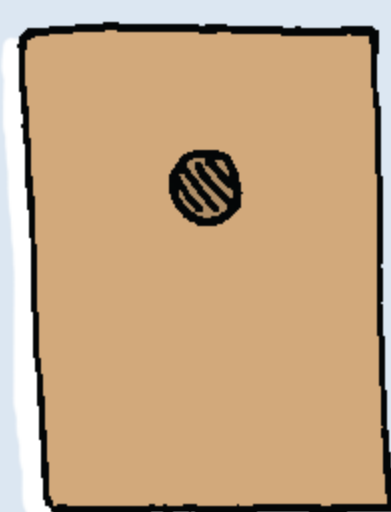
▶ pencil, ruler and scissors



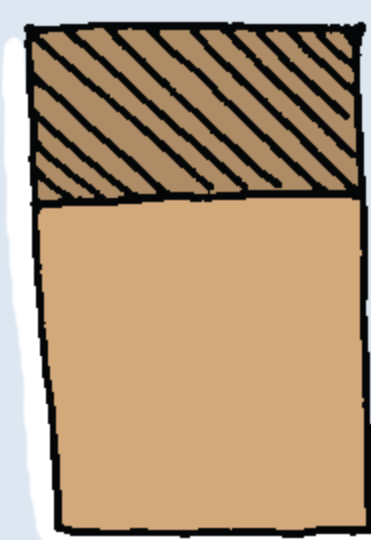
1 Mark out and saw panels

Use diagram above, and write the name of each panel onto the marked out wood.

2 Choose your box type



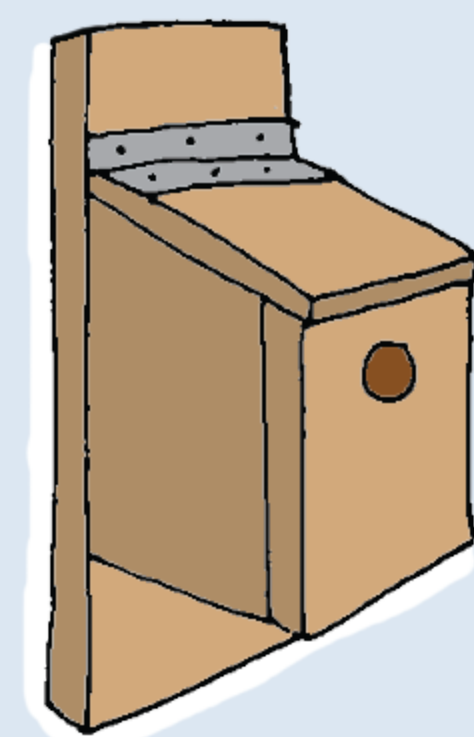
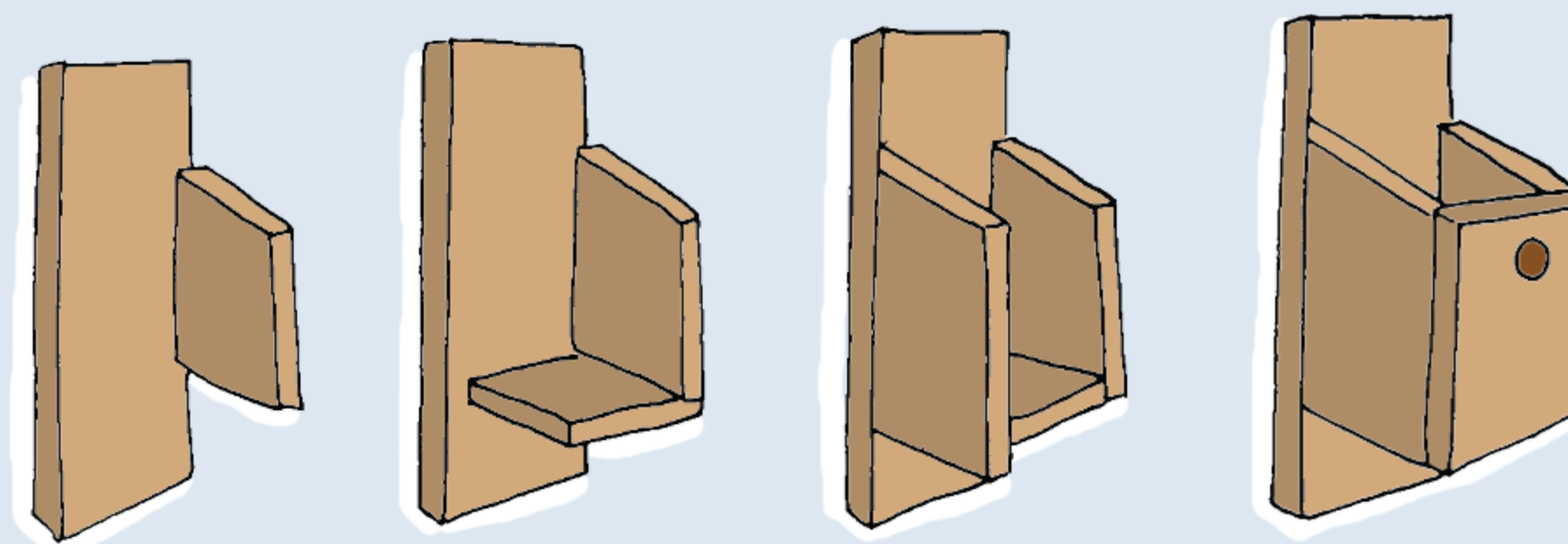
hole fronted box:
 blue tits (25mm)
 great tits (28mm)
 sparrows (38mm)
 starlings (45mm)



open fronted box for robins

3 Assemble the box

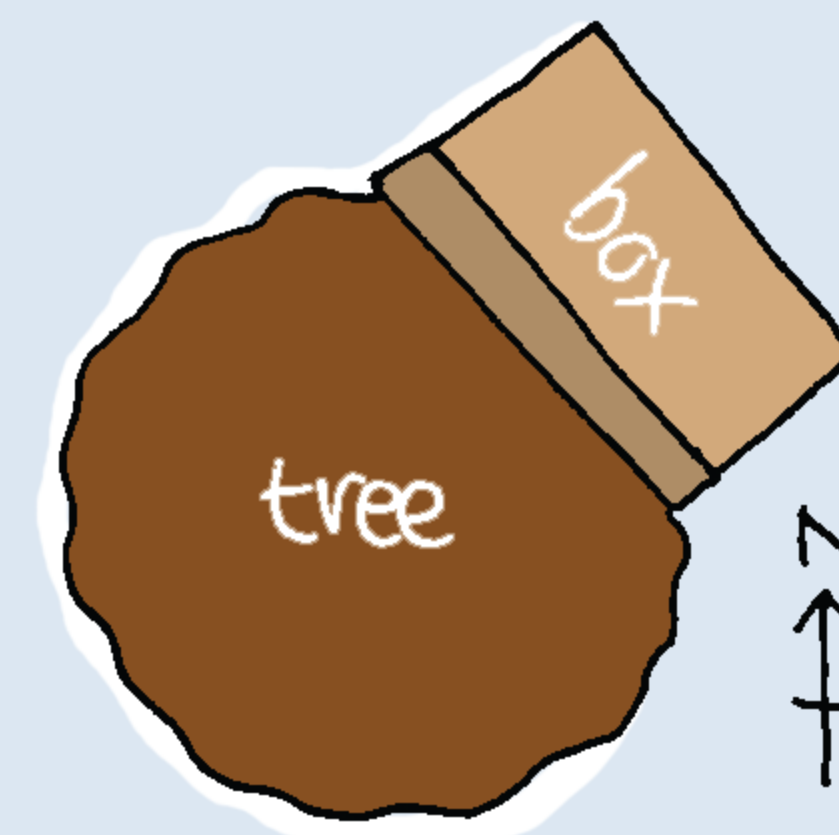
Nail the panels together:



Fix on the roof panel with a hinge or strip of old rubber.

Where to put it:

2-5 metres above the ground, somewhere sheltered.



2-5 m above ground